

READY

THE INNOVATOR OF OUR INDUSTRY®

SINTERLUBE®

Mold Components

**NOW
AVAILABLE!**



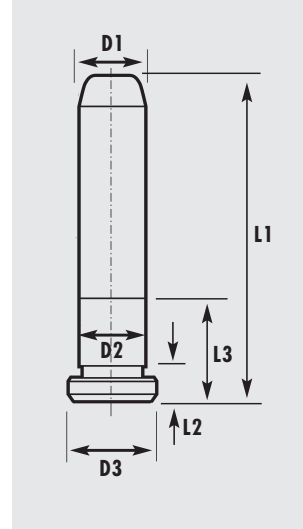
***A Complete Range of SinterLube® Bushings,
Mold Pins, Ejector Pins and Core Pins***

Mold Guide Pins, INCH

Nominal Pin Ø	L1 overall length	L3	Catalog Number
3/4"	1 3/4	7/8	6-16-MP
	2 1/4	7/8	6-22-MP
	2 3/4	7/8	6-26-MP
	3 1/4	7/8	6-32-MP
	3 3/4	7/8	6-36-MP
	4 1/4	1 3/8	6-42-MP
	4 3/4	1 3/8	6-46-MP
	5 1/4	1 3/8	6-52-MP
	5 3/4	1 7/8	6-56-MP
	6 1/4	1 7/8	6-62-MP
	6 3/4	1 7/8	6-66-MP
	7 1/4	1 7/8	6-72-MP
	7 3/4	1 7/8	6-76-MP
	7/8"	1 3/4	7/8
2 1/4	7/8	7-22-MP	
2 3/4	7/8	7-26-MP	
3 1/4	7/8	7-32-MP	
3 3/4	7/8	7-36-MP	
4 1/4	1 3/8	7-42-MP	
4 3/4	1 3/8	7-46-MP	
5 1/4	1 3/8	7-52-MP	
5 3/4	1 3/8	7-56-MP	
6 1/4	1 7/8	7-62-MP	
6 3/4	1 7/8	7-66-MP	
7 1/4	1 7/8	7-72-MP	
7 3/4	1 7/8	7-76-MP	
8 1/4	1 7/8	7-82-MP	
8 3/4	1 7/8	7-86-MP	
9 1/4	1 7/8	7-92-MP	
1"	1 3/4	7/8	8-16-MP
	2 1/4	7/8	8-22-MP
	2 3/4	7/8	8-26-MP
	3 1/4	7/8	8-32-MP
	3 3/4	7/8	8-36-MP
	4 1/4	1 3/8	8-42-MP
	4 3/4	1 3/8	8-46-MP
	5 1/4	1 3/8	8-52-MP
	5 3/4	1 3/8	8-56-MP
	6 1/4	1 3/8	8-62-MP
	6 3/4	1 7/8	8-66-MP
	7 1/4	1 7/8	8-72-MP
7 3/4	1 7/8	8-76-MP	
8 1/4	1 7/8	8-82-MP	
8 3/4	1 7/8	8-86-MP	
9 1/4	1 7/8	8-92-MP	
9 3/4	1 7/8	8-96-MP	
10 1/4	1 7/8	8-102-MP	
10 3/4	1 7/8	8-106-MP	
11 1/4	1 7/8	8-112-MP	
11 3/4	1 7/8	8-116-MP	
12 1/4	1 7/8	8-122-MP	

Nominal Pin Ø	L1 overall length	L3	Catalog Number
1 1/4"	2 3/4	7/8	10-26-MP
	3 1/4	7/8	10-32-MP
	3 3/4	7/8	10-36-MP
	4 1/4	7/8	10-42-MP
	4 3/4	1 3/8	10-46-MP
	5 1/4	1 3/8	10-52-MP
	5 3/4	1 3/8	10-56-MP
	6 1/4	1 3/8	10-62-MP
	6 3/4	1 7/8	10-66-MP
	7 1/4	1 7/8	10-72-MP
	7 3/4	1 7/8	10-76-MP
	8 1/4	1 7/8	10-82-MP
	8 3/4	1 7/8	10-86-MP
	9 1/4	1 7/8	10-92-MP
	9 3/4	1 7/8	10-96-MP
10 1/4	1 7/8	10-102-MP	
10 3/4	1 7/8	10-106-MP	
11 1/4	1 7/8	10-112-MP	
11 3/4	1 7/8	10-116-MP	
12 1/4	1 7/8	10-122-MP	
12 3/4	1 7/8	10-126-MP	
13 3/4	1 7/8	10-136-MP	
14 3/4	1 7/8	10-146-MP	
15 3/4	1 7/8	10-156-MP	
1 1/2"	3 3/4	1 3/8	12-36-MP
	4 1/4	1 3/8	12-42-MP
	4 3/4	1 3/8	12-46-MP
	5 1/4	1 3/8	12-52-MP
	5 3/4	1 3/8	12-56-MP
	6 1/4	1 3/8	12-62-MP
	6 3/4	1 3/8	12-66-MP
	7 3/4	1 7/8	12-76-MP
	8 3/4	1 7/8	12-86-MP
	9 3/4	1 7/8	12-96-MP
	10 3/4	1 7/8	12-106-MP
	11 3/4	1 7/8	12-116-MP
12 3/4	1 7/8	12-126-MP	
13 3/4	1 7/8	12-136-MP	
14 3/4	1 7/8	12-146-MP	
15 3/4	1 7/8	12-156-MP	
2"	5 3/4	1 7/8	16-56-MP
	6 3/4	1 7/8	16-66-MP
	7 3/4	1 7/8	16-76-MP
	8 3/4	1 7/8	16-86-MP
	9 3/4	1 7/8	16-96-MP
	10 3/4	1 7/8	16-106-MP
	11 3/4	1 7/8	16-116-MP
	12 3/4	1 7/8	16-126-MP
	13 3/4	1 7/8	16-136-MP
	14 3/4	1 7/8	16-146-MP
	15 3/4	1 7/8	16-156-MP
	16 3/4	1 7/8	16-166-MP
18 3/4	1 7/8	16-186-MP	

Nominal Pin Ø	L1 overall length	L3	Catalog Number
2 1/2"	5 3/4	2 3/8	20-56-MP
	6 3/4	2 3/8	20-66-MP
	7 3/4	2 3/8	20-76-MP
	8 3/4	2 3/8	20-86-MP
	9 3/4	2 3/8	20-96-MP
	10 3/4	2 3/8	20-106-MP
	11 3/4	2 3/8	20-116-MP
	12 3/4	2 3/8	20-126-MP
	13 3/4	2 3/8	20-136-MP
	14 3/4	2 3/8	20-146-MP
	15 3/4	2 3/8	20-156-MP
	16 3/4	2 3/8	20-166-MP
	18 3/4	2 3/8	20-186-MP
	3"	8 3/4	2 7/8
10 3/4		2 7/8	24-106-MP
12 3/4		2 7/8	24-126-MP
14 3/4		2 7/8	24-146-MP
16 3/4		2 7/8	24-166-MP
18 3/4		2 7/8	22-186-MP



General Dimensions

Nom. I.D.	D1 +0.005 -0.000	D2 +0.005 -0.000	D3 +0.00 -0.005	L2 +0.00 -0.005
3/4	0.749	0.7510	0.990	0.1870
7/8	0.874	0.8760	1.115	0.2500
1	0.999	1.0010	1.240	0.2500
1 1/4	1.249	1.2510	1.490	0.3120
1 1/2	1.499	1.5010	1.740	0.3120
2	1.999	2.0010	2.240	0.3120
2 1/2	2.499	2.5010	2.740	0.3120
3	2.999	3.0010	3.365	0.5000

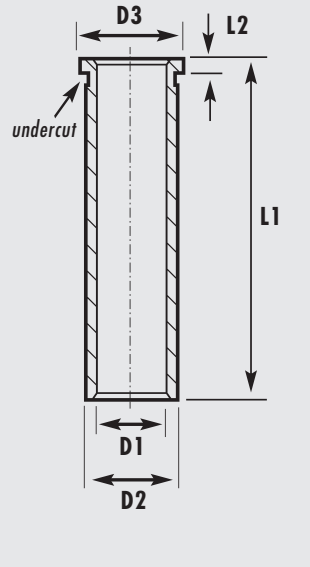
3/4" - 1 1/2" dia. have taper length of 1/4".
 2" - 2 1/2" have taper length of 3/8".
 3" pins have XX radius.

SinterLube® Mold Bushings, INCH

Inside Diameter

Nominal Pin Ø	L1 Length +.000/-0.030	Catalog Number
3/4"	7/8	6-0607-845
	1 3/8	6-0613-845
	1 7/8	6-0617-845
	2 3/8	6-0623-845
	2 7/8	6-0627-845
7/8"	7/8	6-0707-845
	1 3/8	6-0713-845
	1 7/8	6-0717-845
	2 3/8	6-0723-845
1"	7/8	6-0807-845
	1 3/8	6-0813-845
	1 7/8	6-0817-845
	2 3/8	6-0823-845
	2 7/8	6-0827-845
	3 3/8	6-0833-845
1 1/4"	7/8	6-1007-845
	1 3/8	6-1013-845
	1 7/8	6-1017-845
	2 3/8	6-1023-845
	2 7/8	6-1027-845
	3 3/8	6-1033-845
	3 7/8	6-1037-845

Nominal Pin Ø	L1 Length +.000/-0.030	Catalog Number
1 1/2"	7/8	6-1207-845
	1 3/8	6-1213-845
	1 7/8	6-1217-845
	2 3/8	6-1223-845
	2 7/8	6-1227-845
	3 3/8	6-1233-845
	3 7/8	6-1237-845
	4 3/8	6-1243-845
2"	4 7/8	6-1247-845
	1 3/8	6-1613-845
	1 7/8	6-1617-845
	2 3/8	6-1623-845
	2 7/8	6-1627-845
	3 3/8	6-1633-845
	3 7/8	6-1637-845
2 1/2"	4 3/8	6-1643-845
	4 7/8	6-1647-845
	5 7/8	6-1657-845
	1 3/8	6-2013-845
	1 7/8	6-2017-845
	2 3/8	6-2023-845
3"	2 7/8	6-2027-845
	3 3/8	6-2033-845
	3 7/8	6-2037-845
	4 3/8	6-2043-845
	4 7/8	6-2047-845
	5 7/8	6-2057-845

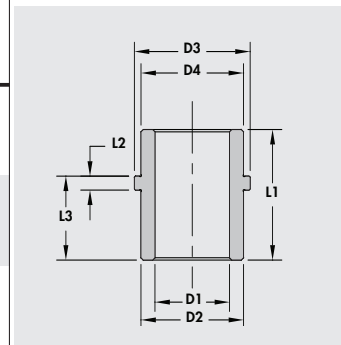


General Dimensions

Nom. I.D.	D1 +.0005 -.0000	D2 +.0005 -.0000	D3 +.000 -0.005	L2 +.000 -.005
3/4	0.7505	1.1255	1.3020	0.1870
7/8	0.8755	1.2505	1.4270	0.1870
1	1.0005	1.3755	1.5520	0.1870
1 1/4	1.2505	1.6255	1.8020	0.1870
1 1/2	1.5005	2.0005	2.1770	0.1870
2	2.0005	2.5005	2.6770	0.1870
2 1/2	2.5005	3.2505	3.4270	0.1870
3	3.0005	3.7505	3.9900	0.5000

Ejector Bushings

Nom. I.D.	D1 +.0005 -.0000	D2 +.0005 -.0000	D3 +.000 -.010	D4 +.000 -.001	L1 +.000 -.030	L2 +.000 -.005	L3 +.000 -.015	L5 -.005	Catalog Number
3/4	0.7510	1.1255	1.302	1.124	1.500		1.000	.560	6-0612-835
7/8	0.8760	1.2505	1.427	1.249	1.500		1.000	.560	6-0712-835
1	1.0010	1.3755	1.552	1.374	1.750	.187	1.120	.620	6-0814-835
1 1/4	1.2510	1.6255	1.802	1.624	1.750		1.120	.620	6-1014-835
1 1/2	1.5010	2.0005	2.177	1.999	1.750		1.120	.620	6-1214-835
2	2.0010	2.5005	2.687	2.499	2.250		1.620	.800	6-1618-835





Ejector Pins

D Pin Dia.	H Head Dia.	T Head Thickness	L Length	Catalog Number
.015"	.048"	.031"	1.11"	
.020"	.048"	.031"	1.11"	
.027"	.078"	.047"	1.38"	
.041"	.094"	.062"	1.94"	
.058"	.125"	.062"	1.94"	
.089"	.156"	.094"	2.22"	
.120"	.188"	.094"	2.22"	

Ejector Pins, Straight Style

D Pin Ø	H Head Ø	L Length Range	Catalog Number
3/64			
1/16			
5/64			
3/32	1/4		
7/64			
1/8			
9/64			
5/32	9/32		
11/64	11/32		
3/16	3/8		
13/64	3/8		
7/32	13/32		
15/64	13/32		
B	7/16		
C	7/16		
D	7/16		
1/4	7/16		
F	7/16		
G	7/16		
17/64	7/16		
I	7/16		
J	7/16		
9/32	7/16		
L	1/2		
M	1/2		
19/64	1/2		
N	1/2		
5/16	1/2		
P	9/16		
21/64	9/16		
Q	9/16		
R	9/16		
11/32	9/16		
23/64	5/8		
U	5/8		
3/8	5/8		
V	5/8		
W	5/8		
X	11/16		
Y	11/16		
13/32	11/16		
7/16	11/16		
15/32	3/4		
1/2	3/4		
9/16	13/16		
5/8	7/8		
11/16	15/16		
3/4	1		
7/8	1-1/8		
1	1-1/4		

Ejector Pins, Shoulder Style

Nom. I Pin Dia.	P Actual Pin Dia.	S Shoulder Length	L = 4"		L = 6"		L = 10"		L = 14"		Catalog Number
1/32"	.0308" .0305"	1/2"	-	7.23	-	-	-	-	-	-	
		2"	-	7.12	-	-	-	-	-	-	
		3"	-	-	-	8.93	-	-	-	-	
		4"	-	-	-	8.93	-	-	-	-	
3/64"	.0464" .0461"	1/2"	4.15	4.20	5.42	5.98	6.94				
		2"	4.06	4.11	4.79	5.76	6.72				
		3"	-	-	4.79	-	-				
		4"	-	-	4.79	-	-				
1/16"	.0620" .0617"	1/2"	3.91	3.96	5.07	5.64	6.53				
		2"	3.81	3.87	4.83	5.42	6.17				
		3"	-	-	4.64	-	-				
		4"	-	-	4.83	-	-				
5/64"	.0776" .0773"	1/2"	3.91	3.96	5.07	5.64	6.62				
		2"	3.81	3.87	4.83	5.42	6.27				
		3"	-	-	4.64	-	-				
		4"	-	-	4.83	-	-				
3/32"	.0933" .0930"	1/2"	3.51	3.57	4.60	5.18	6.27				
		2"	3.42	3.47	4.37	4.95	6.02				
		3"	-	-	4.18	-	-				
		4"	-	-	4.37	-	-				
7/64"	.1089" .1086"	1/2"	3.51	3.57	4.60	5.18	6.27				
		2"	3.42	3.47	4.37	4.95	5.90				
		3"	-	-	4.18	-	-				
		4"	-	-	4.37	-	-				

Standard Core Pins, RC Type

D Pin Ø	H Head Ø	L Length Range	Catalog Number
3/64	1/8		
1/16	1/8		
5/64	1/8		
3/32	1/8		
7/64	1/8		
1/8	1/8		
9/64	1/8		
5/32	5/32		
11/64	3/16		
3/16	3/16		
13/64	3/16		
7/32	3/16		
15/64	3/16		
1/4	3/16		
17/64	1/4		
9/32	1/4		
19/64	1/4		
5/16	1/4		
21/64	1/4		
11/32	1/4		
23/64	1/4		
3/8	1/4		
13/32	1/4		
7/16	1/4		
15/32	1/4		
1/2	1/4		
9/16	1/4		
5/8	1/4		
11/16	1/4		
3/4	1/4		

Standard Core Pins, RCX Type

D Pin Ø	H Head Ø	L Length Range	Catalog Number
3/64	1/8		
1/16	1/8		
5/64	1/8		
3/32	1/8		
7/64	1/8		
1/8	1/8		
9/64	1/8		
5/32	5/32		
11/64	3/16		
3/16	3/16		
13/64	3/16		
7/32	3/16		
15/64	3/16		
1/4	3/16		
17/64	1/4		
9/32	1/4		
19/64	1/4		
5/16	1/4		
21/64	1/4		
11/32	1/4		
23/64	1/4		
3/8	1/4		
13/32	1/4		
7/16	1/4		
15/32	1/4		
1/2	1/4		
9/16	1/4		
5/8	1/4		
11/16	1/4		
3/4	1/4		

READY TECHNOLOGY, INC.

333 Progress Rd. • Dayton, OH 45449

(800) 543-4355 • 937-866-7200 • fax (937) 866-7226

readytechnology.com