

READY

THE INNOVATOR OF OUR INDUSTRYSM

*Selective Fit[®] Pins and Bushings –
The Industry's Most
Innovative and Interchangeable
Program of Guiding Elements for Dies*

It's So Simple, Yet So Complete, and All So Interchangeable

Three Types of Guide Pins



Double Diameter



Straight



Demountable

Three Types of Plain Bearing Bushings



Steel



Sintered Bronze



SinterLube[®]

Two Types of Ball Bearing Bushings and One Type of Cage



Demountable



Cage



Sleeve

Don't You Want the Best Guiding in Your Die?

Choose One of Three Pins and Match It to Any of Our Three Plain Bearing or Our Two Ball Bearing Bushings



- *Unlike the competition, we manufacture all of our pins out of ball bearing quality steel induction hardened to 60-64 Rc, then core tempered for toughness.*
- *We are the only company to drill and tap all its pins so they become dual purpose for both plain bearing and ball bearing applications, thus reducing your inventory cost. But it also makes our pins fully interchangeable with all the major brands.*

Take A Closer Look . . .



Our Double Diameter pin (-55) is designed to be inter-changeable for both plain and ball bearing applications with all the major brands, so they may be used for die maintenance as well as for new tooling. Other brands have either a belly band or larger press fit diameter which interferes with or prohibits a fully guided operating condition.

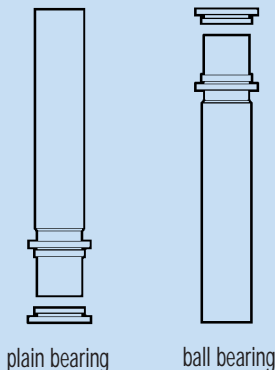


Our Precision Straight pin (-825) eliminates interference with the bushing throughout the entire operating stroke giving you optimal guiding.

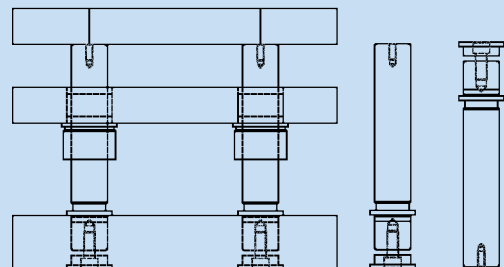


Our Demountable pin (-835) is our multi-purpose pin. It provides optimal perpendicularity provided the shoulder of the pin is firmly seated on the plate surface. But ours is unlike any other because it is drilled and tapped at both ends. You can use it for both plain bearing and ball bearing applications like our other pins, but in addition, since we drill and tap the hole at the shoulder end of the pin, you may clamp the pin from the back side of the plate with our unique Pillar Plug Option allowing maximum die space and stroke.

All our pins are dual purpose. In a die shoe, they are plain bearing. Or turn them upside down and they become ball bearing in a punch holder.



You can also use our demountable pin in three plate applications





Our Demountable Steel, Sintered Bronze and SinterLube® Bushings Outperform the Competition

We make three types of plain bearing demountable bushings: our precision Steel, our unique Sintered Bronze and our revolutionary self-lubricating SinterLube® Alloy bushing.

Take A Closer Look . . .



Our Steel Bushings are manufactured to the same high level of precision as our Sintered Bronze Bushings. If operated at moderate speeds and side loads with good lubrication, they are a good economic choice.



Our unique Sintered Bronze Bushings set a new standard in the market of bronze plated bushings. A layer of bronze is sintered to the inside diameter of a steel bushing, creating a mechanical bond at the bronze/steel interface stronger than that of traditional plated bushings.

Among the many advantages over plated bronze bushings include:

- a thicker bronze lining, up to 22 times thicker than plating.
- a porous bronze lining (up to 40% porosity) to retain lubrication oil where you need it most.
- a stronger bond due to our patented process that forms a unique fusion bond so the bronze and substrate become one.

The combination of increased thickness, porosity and stronger bonding means our bushing is your best choice for high speed or eccentric loading.



Our revolutionary SinterLube® Alloy Bushing represents our latest and most dramatic contribution to our industry: a no maintenance, truly self-lubricating bushing that requires no lubrication during production, yet it maintains its initial geometry and undergoes negligible wear, even after millions of press cycles.

Like our Sintered Bronze, SinterLube® is a sintered bushing, but instead of bronze, the sintered lining is a patented combination of alloy metals for enhanced sliding lubricity and wear. SinterLube® is your best choice in the toughest of applications and a dramatically improved performer over graphite plug bushings.

SinterLube® truly is the world's finest guide bushing.

Each of these bushings can be matched with any of our three pins, and each is fully interchangeable with any other of our plain bearing bushings (eg steel with sintered bronze, steel with SinterLube®, and sintered bronze with SinterLube®).

We offer all three bushings in standard shoulder lengths. Sintered Bronze and SinterLube® are also available in short shoulder lengths. Sintered Bronze bushings are available in extra long shoulder lengths as well.

Our Straight Sleeve and Demountable Ball Bearing Bushings Provide More Versatility Than the Competition.

We offer two types of ball bearing bushings: Straight Sleeve and Demountable. Both can be matched with any of our three pins.

Take A Closer Look . . .

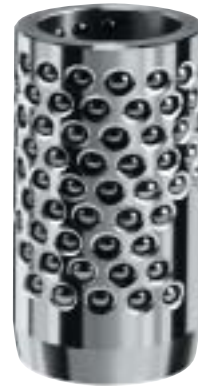


We offer a full line of **Straight Sleeve bushings**. You can secure them in the traditional manner with Bushing Mount. Up to eleven tons of force are required to dislodge the bushing once the Bushing Mount has properly cured (See Ready's Die Sets and Guiding Catalog for installation instructions).

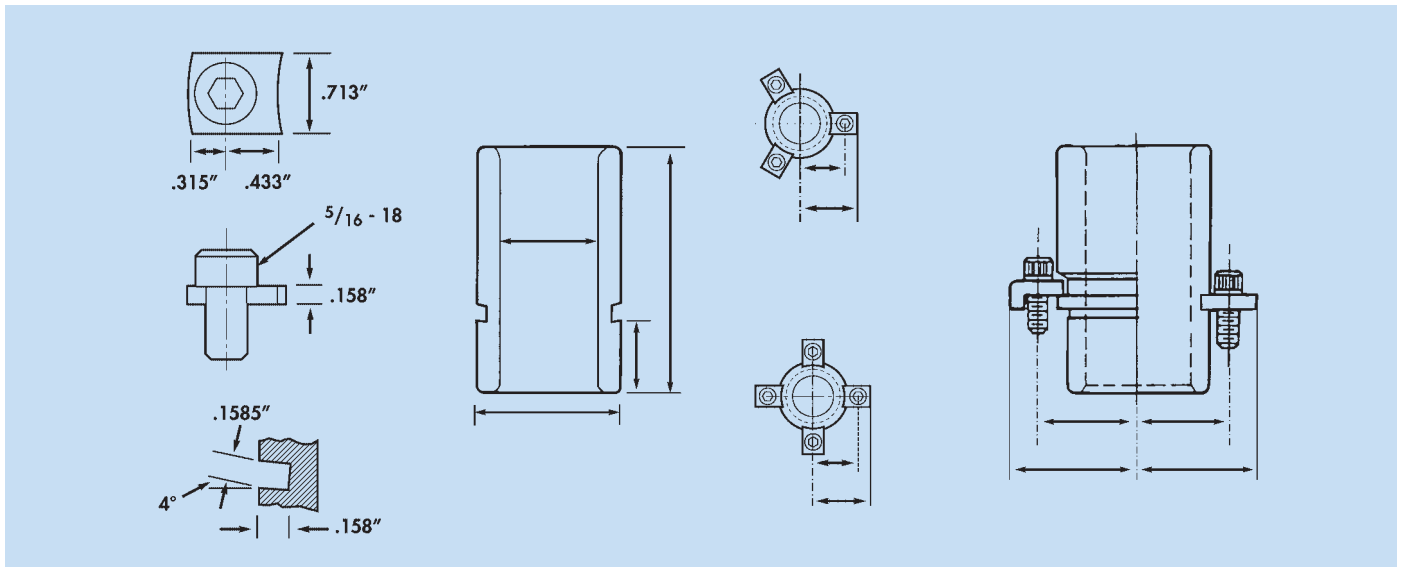
Or you can save die space with our patented Ring System by clamping any of our sleeve bushings with a pin diameter of 1 1/2" or greater (see drawing below). This feature, unique with Ready, simplifies die assembly and disassembly, increases die space and lowers cost.



We offer a full line of **Demountable bushings**, which are flange mounted and held in place with toe clamps and screws.



We offer a full line of **Ball Cages**, and they operate with both our **Straight Sleeve and Demountable bushings**. Our ball cages are designed to rotate within the ball bushing assembly, so wear on the guide pin and bushing is reduced. The ball bearings are arranged in a double spiral pattern so that each ball bearing travels along its own unique path. Tracking is reduced and operating life is enhanced.





We Designed Our Pins and Bushings To Be Interchangeable With All the Major Brands To Reduce the Cost of Your Inventory!

*The Beauty Is Its Simplicity.
Take A Closer Look . . .*

For Plain Bearing Applications:

- Our **Double Diameter Pin (-55)** is interchangeable with the double diameter pins of Danly, Lamina, Lempco, Superior and Producto.
- Our **Steel, Sintered Bronze and SinterLube® bushings** are interchangeable with all the major brands up to 2 1/2". For 2 1/2" and 3", we are interchangeable with Danly and Lempco for Steel and Sintered Bronze, but interchangeable with all brands for SinterLube®.

For Ball Bearing Applications:

- Our **Double Diameter Pin (-55)** is interchangeable with the ball bearing pins of Lamina, Lempco, Superior and Producto.
- Our **Demountable Pin (-835)** is interchangeable with the demountable pin of Lamina and Superior.
- Our **Straight Pin (-825)** is dual purpose for ball bearing applications as well.
- Our **Demountable Ball Bearing Bushing** is interchangeable with Danly.
- We've modified our **Straight Sleeve Bushing** so it is interchangeable with all the major brands.

Look at the Part suffix. If It's On the Chart, It's Interchangeable!					
READY	Danly	Lamina	Lempco	Superior	Producto
Pins:					
Straight (-825)	(-82)	(TN)			
Demountable (-835)	(-826)	(APG)	(956)	(322), (332)	(LS)
Double Diameter (-55)	(-5)	(TPC), (AP1)	(951), (501)	(321), (331)	(A15)
Plain Bearing Bushings:					
Steel (-645)	(-64)	(GAC-xxx-SS)	(654), (626), (664)	(311)	(SB)
Sintered Bronze (-235)	(-23)				
	(-24), (-48)	(GAC-xxx-S), (GAC-xxx-SB)	(624), (629), (648)	(312), (313P), (313)	(AC-xxx-S), (RB)
	(-285)	(GLAC-xxx-S)			(LAC-xxx-S)
SinterLube (-335)					
	(GDxxx)	(GACB-xxx-S)			
	(-345)				
	(-335-EX) 2.5 & 3"				
	(-345-EX) 2.5 & 3"	(GAC-xxx-S), (GAC-xxx-SB)		(312), (313P), (313), (311)	(AC-xxx-S), (RB), (SB)
Ball Bearing Bushings:					
	(-86)				
	(-865)				(A16)
	(-865-EX)	(AB1)	(961)	(337)	
	(-855)				
Ball Bearing Cages:					
	(-82-2)				
	(-8225)				

Check catalog dimensions to verify lengths and diameters to avoid interference. This chart reflects bore sizes and fits and does not necessarily mean direct cross on all diameters and lengths.

Clamp holes may require repositioning; refer to catalog for locations.



The Innovator of Our IndustrySM

Our factories and offices:

U.S.A. • U.K. • France • Belgium • Germany • Sweden • Netherlands • Singapore

READY TECHNOLOGY, INC.

333 Progress Rd. • Dayton, OH 45449
 (800) 543-4355 • (937) 866-7200 • fax (937) 866-7226

630 Kiser St. • Dayton, OH 45404
 (800) 367-3437 • (937) 228-8181 • FAX: (937) 228-2928

BOLDEN DIE SUPPLY

P.O. Box 6566 • Marietta, GA 30065
 (800) 277-4278 • (770) 427-4278 • fax (770) 427-3282

www.readytechnology.com